

# Installation Instructions

## SensaGuard™ Rectangular Flat Pack - 440N-Z21SS2\*


**IMPORTANT: SAVE THESE INSTRUCTIONS FOR FUTURE USE.**


<b>ENGLISH:</b>	This instruction sheet is available in multiple languages at <a href="http://www.rockwellautomation.com/literature">www.rockwellautomation.com/literature</a> . Select publication language and type "SensaGuard" in the search field.
<b>GERMAN:</b>	Dieses Instruktionsblatt kann in mehreren Sprachen unter <a href="http://www.rockwellautomation.com/literature">www.rockwellautomation.com/literature</a> gelesen werden. Bitte Ihre Sprache anwählen und "SensaGuard" im Suchfeld eingeben.
<b>FRENCH:</b>	Ces instructions sont disponibles dans différentes langues à l'adresse suivante <a href="http://www.rockwellautomation.com/literature">www.rockwellautomation.com/literature</a> . Sélectionner la langue puis taper "SensaGuard" dans le champ de recherche.
<b>ITALIAN:</b>	La presente scheda d'istruzione è disponibile in varie lingue sul sito <a href="http://www.rockwellautomation.com/literature">www.rockwellautomation.com/literature</a> . Selezionare la lingua desiderata e digitare "SensaGuard" nel campo di ricerca.
<b>SPANISH:</b>	Puede encontrar esta hoja de instrucciones en varios idiomas en <a href="http://www.rockwellautomation.com/literature">www.rockwellautomation.com/literature</a> . Seleccione el idioma de publicación y escriba "SensaGuard" en el campo de búsqueda.
<b>PORTUGUESE:</b>	Esta folha de instruções está disponível em várias línguas em <a href="http://www.rockwellautomation.com/literature">www.rockwellautomation.com/literature</a> . Selecione a língua de publicação e entre com "SensaGuard" no espaço de busca.
<b>POLISH:</b>	Ta kartka z instrukcjami jest dostępna w wielu językach na stronie: <a href="http://www.rockwellautomation.com/literature">www.rockwellautomation.com/literature</a> . Wybierz język publikacji i wpisz w polu poszukiwania "SensaGuard".

### Installation Instructions

Installation must be in accordance with the following steps and stated specifications and should be carried out by suitable competent personnel. The unit is not to be used as a mechanical stop. Guard stops and guides must be fitted. Adherence to the recommended maintenance instructions forms part of the warranty.

This device is intended to be part of the safety related control system of a machine. Before installation, a risk assessment should be performed to determine whether the specifications of this device are suitable for all foreseeable operational and environmental characteristics of the machine to which it is to be fitted. Refer to Technical Specifications below for certification information and ratings.

<b>ATTENTION</b> 	The presence of spare actuators compromise the integrity of the safety systems. Personal injury or death, property damage or economic loss can result. Appropriate management controls, working procedures and alternative protective measures should be introduced to control their use and availability.
---	--

<b>WARNING</b> 	Do not defeat, tamper, remove or bypass this unit. Severe injury to personnel could result. The sensor <b>MUST</b> be connected to a Class 2 SELV 24V DC, +10%/-15% power supply.
---	---

### Technical Specifications

Safety Classification	Type 4 Interlocking Device per ISO 14119 (Low Coding) PLe, Cat 4 per ISO 13849-1 SIL CL3 per IEC 62061 and IEC 61508
Standards	CSA 22.2 No. 14, ISO 13849-1, ISO 14119, IEC 60947-5-3, IEC 61508, IEC 62061, and UL508
Certifications	TÜV, CE Marked for all applicable directives, cULus
Functional Safety Data	PFH <sub>D</sub> : 1.12 · 10 <sup>-9</sup>

### Operating Characteristics

Sensing Distance	
Assured Make	15 mm
Assured OFF	35 mm
Typical Misalignment	(±7 mm in both axes)
Repeat Accuracy	10% of sensing range
Max. output current (all outputs)	200 mA
Input Current	50 mA (no load supply current)
Operational Current, Min.	≥1 mA DC
Off-state Current	<0.5 mA DC
Max. no. of switches, connected in series	Unlimited. See Unit Response Time section on page 5.
Operating Voltage	24V DC +10%/-15% Class 2 SELV power supply
Frequency of operating cycle	1 Hz
Response Time (Off)	54 ms first switch, 18 ms for each additional switch
Case Material	Valox® DR 48
Actuator Material	Valox® DR 48

### Outputs (guard door closed, actuator in place)

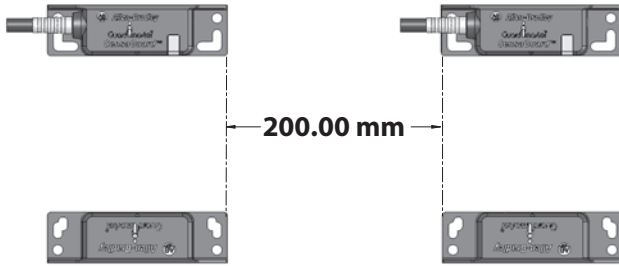
Outputs	Description	Status
Safety	2 x PNP, 0.2 A max.	ON (+24V DC)
Auxiliary	1 x PNP, 0.2 A max.	OFF (0V DC)

### Environmental

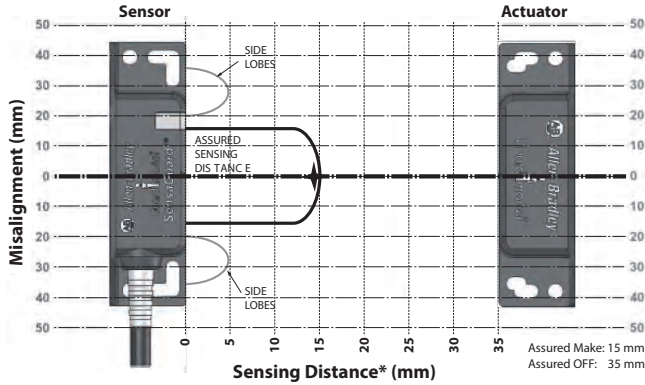
Operating Temperature [C (F)]	-10...+55 ° (14...131 °)
Operating Humidity	5...95% relative
Washdown Rating	NEMA 3, 4X, 12, 13, IP69k
Shock & Vibration	IEC 68-2-27 30 g, 11 ms/IEC 68-2-6 10...55 Hz
Radio Frequency	IEC 61000-4-3 IEC 61000-4-6



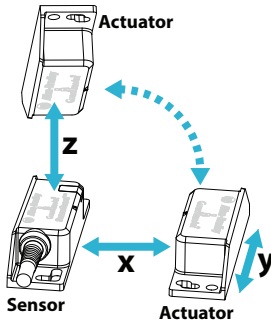
### Minimum Distance Between Sensors



### Misalignment Curve



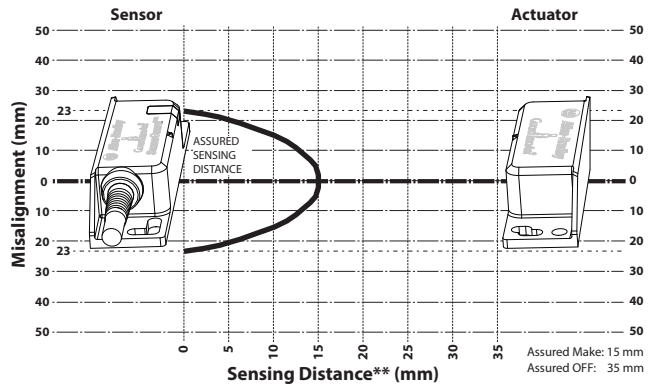
\* when the actuator approaches the sensor in the x-direction or from above (z-direction) and is misaligned in the y-direction



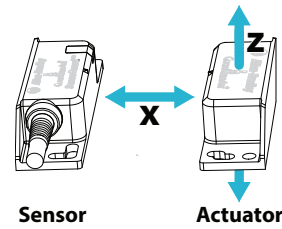
**IMPORTANT**

Allow a minimum spacing of 9 mm (0.35 in.) if the actuator and sensor faces approach laterally (from the y-direction). This will prevent false triggering due to the side lobe areas.

To ensure proper functioning of margin indication (non-safety), z-direction approach is not recommended for -N and -N9 models.



\*\* when the actuator approaches the sensor in the x-direction and is misaligned in the z-direction.



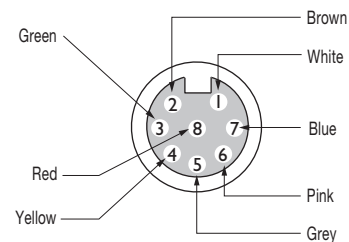
### Wiring Diagram

#### 8-Pin Unit

Pin Number	Wire Color	Signal
1	White	Aux. Outputs
2	Brown	+24V
3	Green	NA
4	Yellow	OSSD 2, +24V Input
5	Grey	OSSD 1
6	Pink	OSSD 2
7	Blue	0V
8	Red	OSSD 1, +24V Input

**Recommended mating cable, 2 m (6.5 ft)—889D-F8AB-2.**

Replace the 2 with 5 (5 m) or 10 (10 m) for standard cable lengths.



## 5-Pin Unit

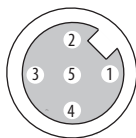
Pin Number	Signal
1	+24V
2	OSSD 1
3	0V
4	OSSD 2
5	Aux.

**Recommended cordset, 2m (6.5 ft) - 889D-F5AC-2.** Replace the 2 with 5 (5 m) or 10 (10 m) for standard cable lengths.

**Note:** If the user does not require the Auxiliary signal, a 4-pin cordset (889D-F4AC-2) can be used.

**Recommended patchcord for use with ArmorBlock® Guard Safety I/O, 2 m (6.5 ft) - 889D-F4ACDM-2.** Replace the 2 with 0M3 (0.3 m), 1 (1 m), 5 (5 m), or 10 (10 m) for standard cable lengths.

**Note:** Do not use a 5-pin patchcord with the ArmorBlock.



## Diagnostic

### Unit Indicators (per IEC 60073)

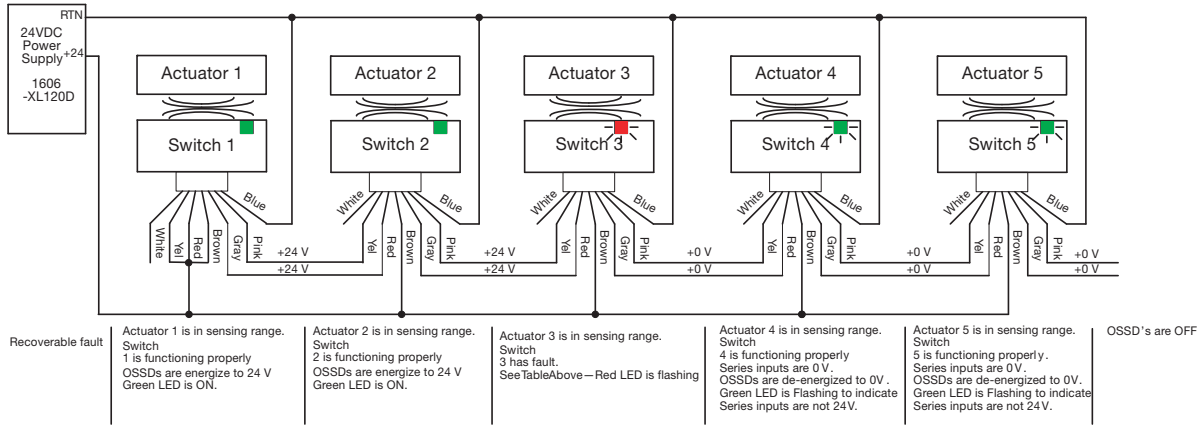
	State	Status	Troubleshooting
Device Output LED	Off	Not Powered	NA
	Red	Not Safe, OSSD not active	NA
	Green	Safe, OSSD active	NA
	Green Flash	Power up test or OSSD inputs not valid	Check 24V DC or OSSD inputs (yellow and red wire)
	Red Flash	1 Hz Flash Recoverable Fault 4 Hz Flash Non-recoverable Fault	Recoverable fault —check OSSD outputs are not shorted to GND, 24V DC or each other. Cycle power.
	Amber Flash (-N & -N9 models only)	1 Hz Flash margin indicator Safe, OSSD active	Sensor is reaching max. sensing distance; realign sensor with actuator

**IMPORTANT**

Refer to Technical Specifications (page 1) for certification information and ratings.

# Troubleshooting

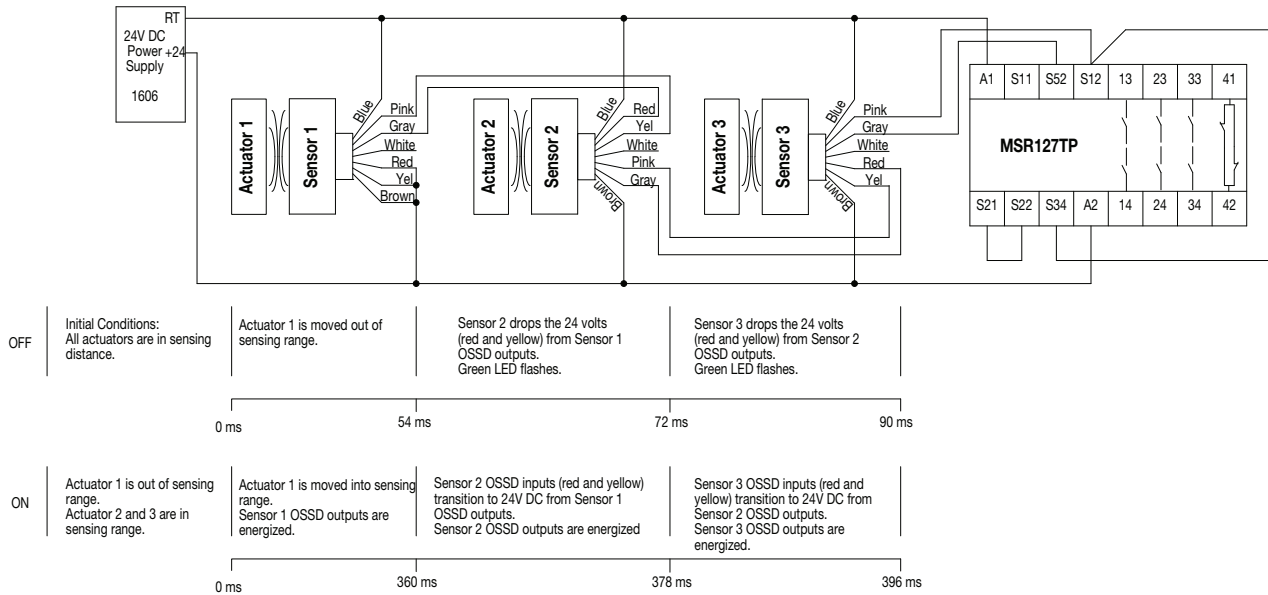
## Series Circuit



**IMPORTANT**

Refer to Technical Specifications (page 1) for certification information and ratings.

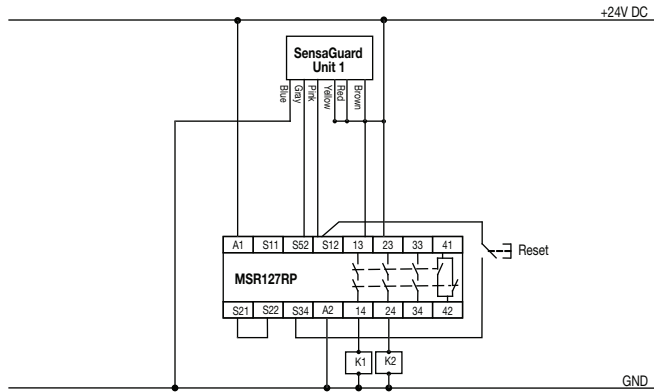
## Unit Response Time (does not include safety control system response time)



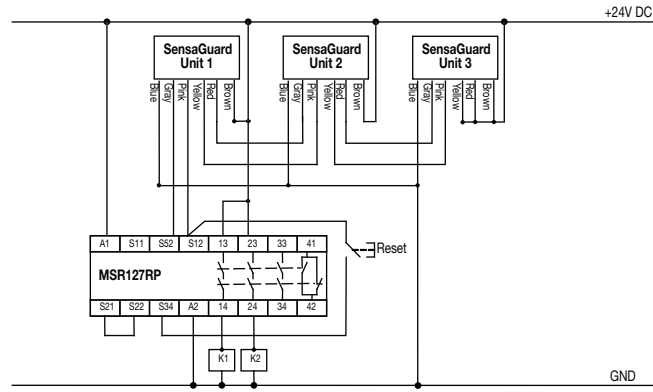
**IMPORTANT**

Refer to Technical Specifications (page 1) for certification information and ratings.

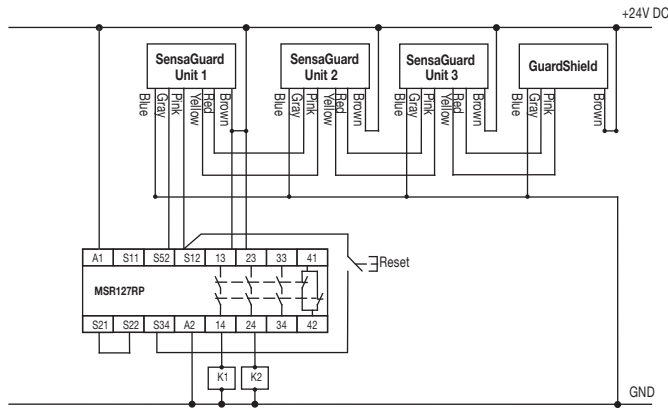
# Application Wiring Examples



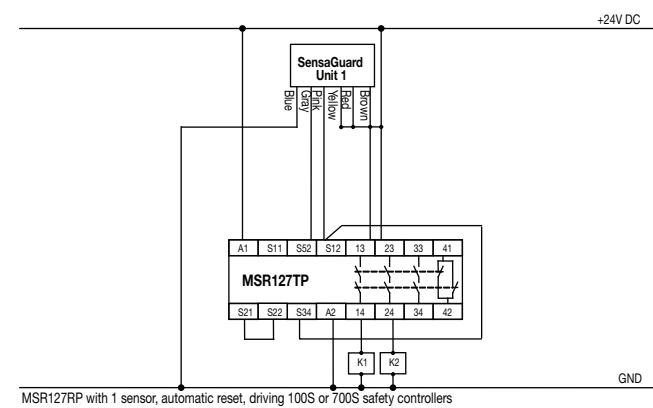
MSR127RP with 1 sensor, monitored manual reset, driving 100S or 700S safety controllers.



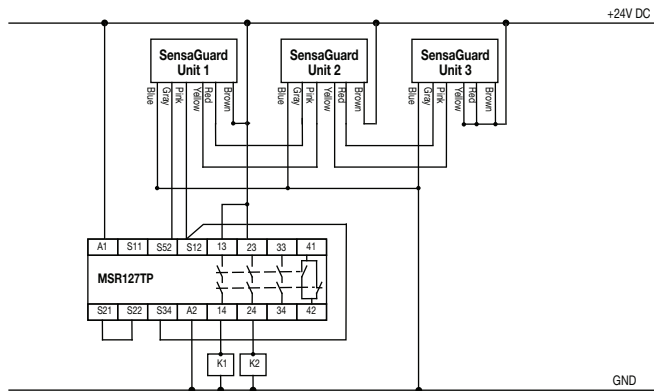
MSR127RP with 3 sensors in series, monitored manual reset, driving 100S or 700S safety controllers



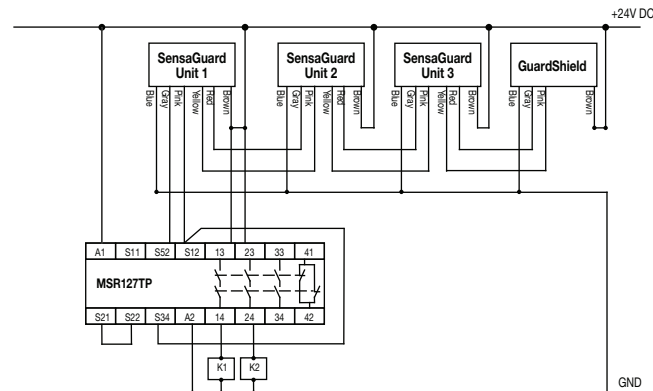
MSR127RP with 3 sensors and 1 440L light curtain in series, monitored manual reset, driving 100S or 700S safety relays.  
Note: Light curtain must be last (farthest from MSR127).



MSR127TP with 1 sensor, automatic reset, driving 100S or 700S safety controllers



MSR127TP with 3 sensors in series, automatic reset, driving 100S or 700S relays.

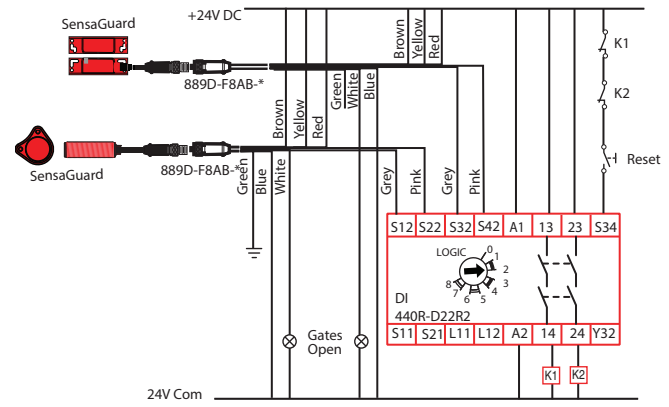
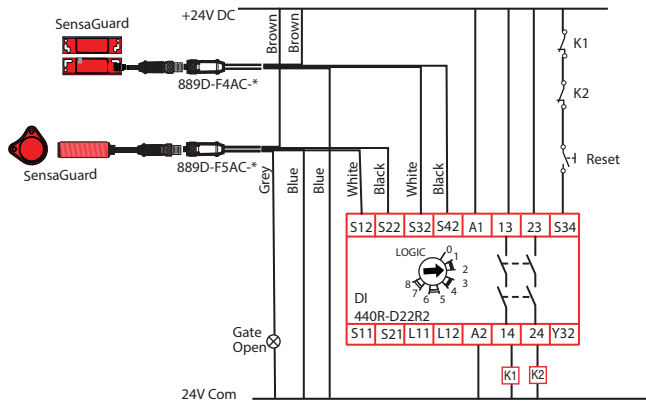


MSR127TP with 3 sensors and 1 440L light curtain in series, automatic reset, driving 100S or 700S safety contactors.  
Note: Light curtain must be last (farthest from MSR127)

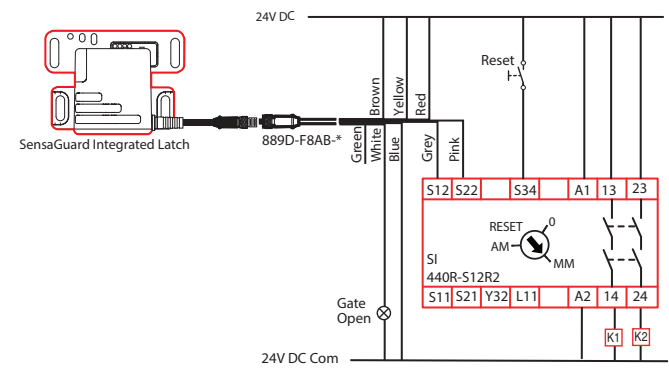
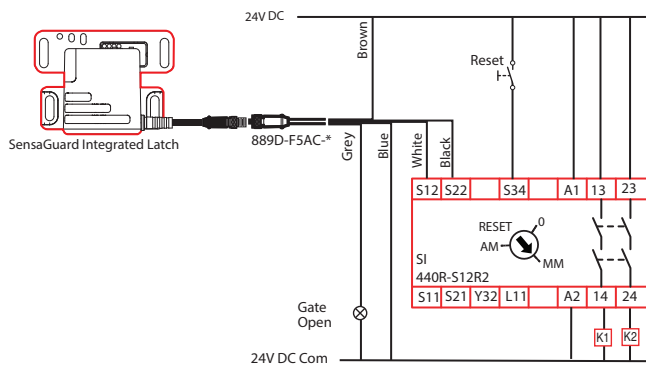
**IMPORTANT**

Refer to Technical Specifications (page 1) for certification information and ratings.

# Application Wiring Examples



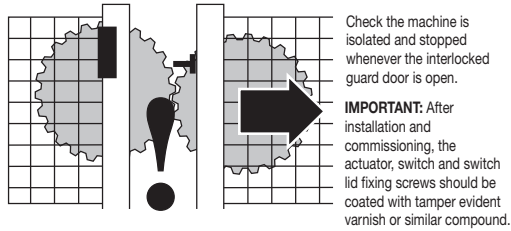
Note: The Green wire is connected to the housing of the Stainless Steel SensaGuard only; it has no connection for plastic SensaGuard.



**IMPORTANT** Refer to Technical Specifications (page 1) for certification information and ratings.

## List of Recommended Safety Control Interfaces

GSR DI, GSR DIS, GSR SI, CR30, MSR126, MSR127, MSR131, MSR138, MSR211, MSR221, MSR121, MSR320, SmartGuard™, 1791DS/ES CompactBlock™ Guard Safety I/O, 1732DS/ES ArmorBlock Guard Safety I/O. Relay must have OSSD (light curtain) inputs.



## Maintenance

### Monthly

Check the correct operation of the switching circuit. Also check for signs of abuse or tampering. Inspect the switch casing for damage.

### Repair

If there is any malfunction or damage, no attempts at repair should be made. The unit should be replaced before machine operation is allowed.

## Declaration of Conformity

This is to declare that the products shown in this document conform with the Essential Health and Safety Requirements (EHSRs) of the European Machinery Directive. These products also conform to EN 60947-5-3, EN ISO 14119, and have Third Party Approval.

**For a comprehensive certificate please visit: [www.ab.com/safety](http://www.ab.com/safety).**

Allen-Bradley, CompactBlock, Rockwell Software, and SensaGuard are trademarks of Rockwell Automation, Inc.

Rockwell Automation maintains current product environmental information on its website at <http://www.rockwellautomation.com/rockwellautomation/about-us/sustainability-ethics/product-environmental-compliance.page>  
**[www.rockwellautomation.com](http://www.rockwellautomation.com)**

### Power, Control and Information Solutions Headquarters

Americas: Rockwell Automation, 1201 South Second Street, Milwaukee, WI 53204-2496 USA, Tel: (1) 414.382.2000, Fax: (1) 414.382.4444

Europe/Middle East/Africa: Rockwell Automation NV, Pegasus Park, De Kleetlaan 12a, 1831 Diegem, Belgium, Tel: (32) 2 663 0600, Fax: (32) 2 663 0640

Asia Pacific: Rockwell Automation, Level 14, Core F, Cyberport 3, 100 Cyberport Road, Hong Kong, Tel: (852) 2887 4788, Fax: (852) 2508 1846

Publication 440N-IN008B-EN-P — December 2014 — 10000979555 Ver 00

Supersedes Publication 440N-IN0008A-EN-P — May 2012

PN-243696

Copyright © 2014 Rockwell Automation, Inc. All rights reserved. Printed in the U.S.A.